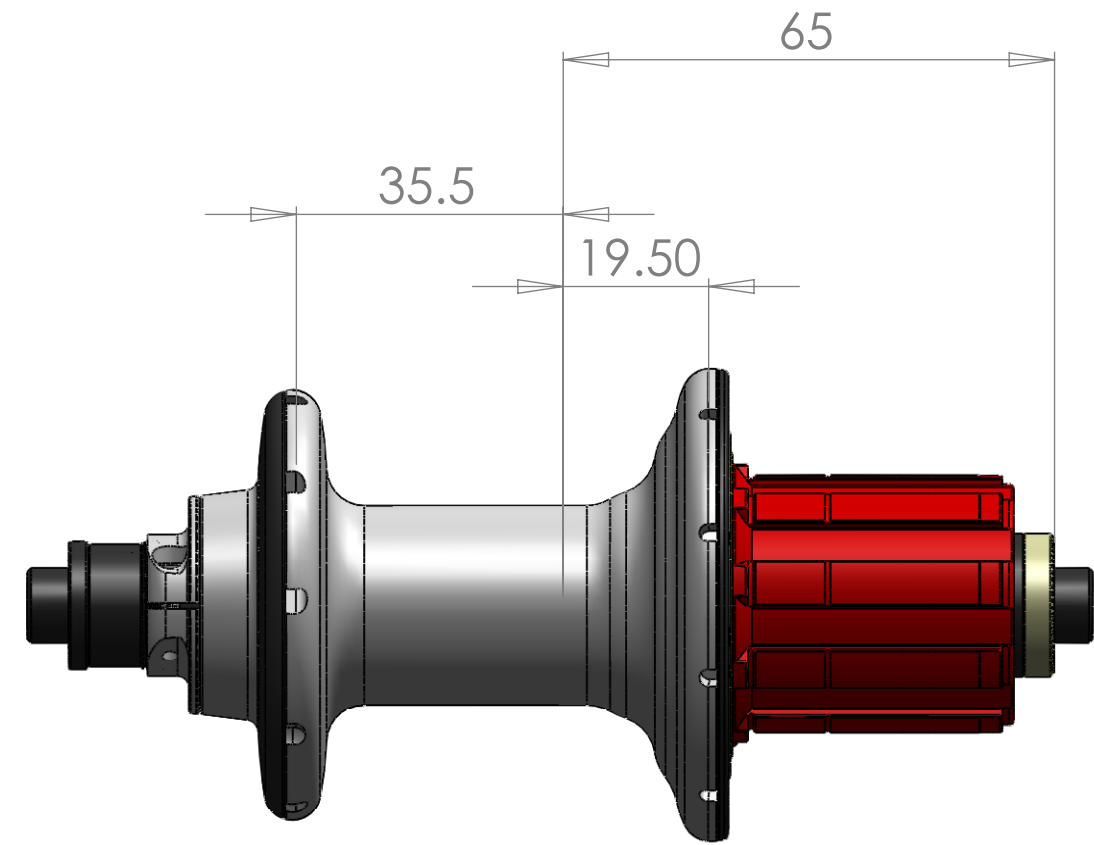
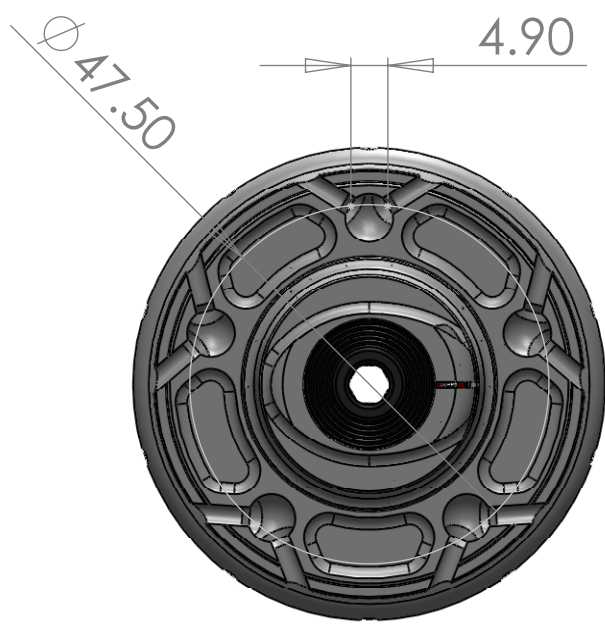



8 7 6 5 4 3 2 1

D
C
B
A

D
C
B
A



PROPRIETARY AND CONFIDENTIAL
 THE INFORMATION CONTAINED IN THIS DRAWING IS THE SOLE PROPERTY OF ZIPP SPEED WEAPONRY. ANY REPRODUCTION IN PART OR IN WHOLE WITHOUT THE EXPRESS WRITTEN PERMISSION OF ZIPP SPEED WEAPONRY IS PROHIBITED. ANY AUTHORIZED REPRODUCTION MUST INCLUDE THIS STATEMENT IN ITS ENTIRETY.

UNLESS OTHERWISE SPECIFIED: DIMENSIONS ARE IN INCHES TOLERANCES:				DEBUR AND BREAK SHARP EDGES		DO NOT SCALE DRAWING		STATUS: Working	
FRACTIONAL: ±1/32		ANGULAR: ±0.5°		 1180 N. Main Street Speedway, IN 46224					
.XX : .01		.XXX : 0.005							
DRAWN	NAME	SIGNATURE	DATE	MATERIAL:		TITLE:			
	josh_poertner		1/30/2009			188 Shimano Rear Hub Assembly			
CHK'D				FINISH:		Part File Name:			REVISION
APPV'D						H-188-ASY-0011			A-01
MFG				WEIGHT:		SCALE:1:10		SHEET 3 OF 3	
Q.A								B	

8 7 6 5 4 3 2 1