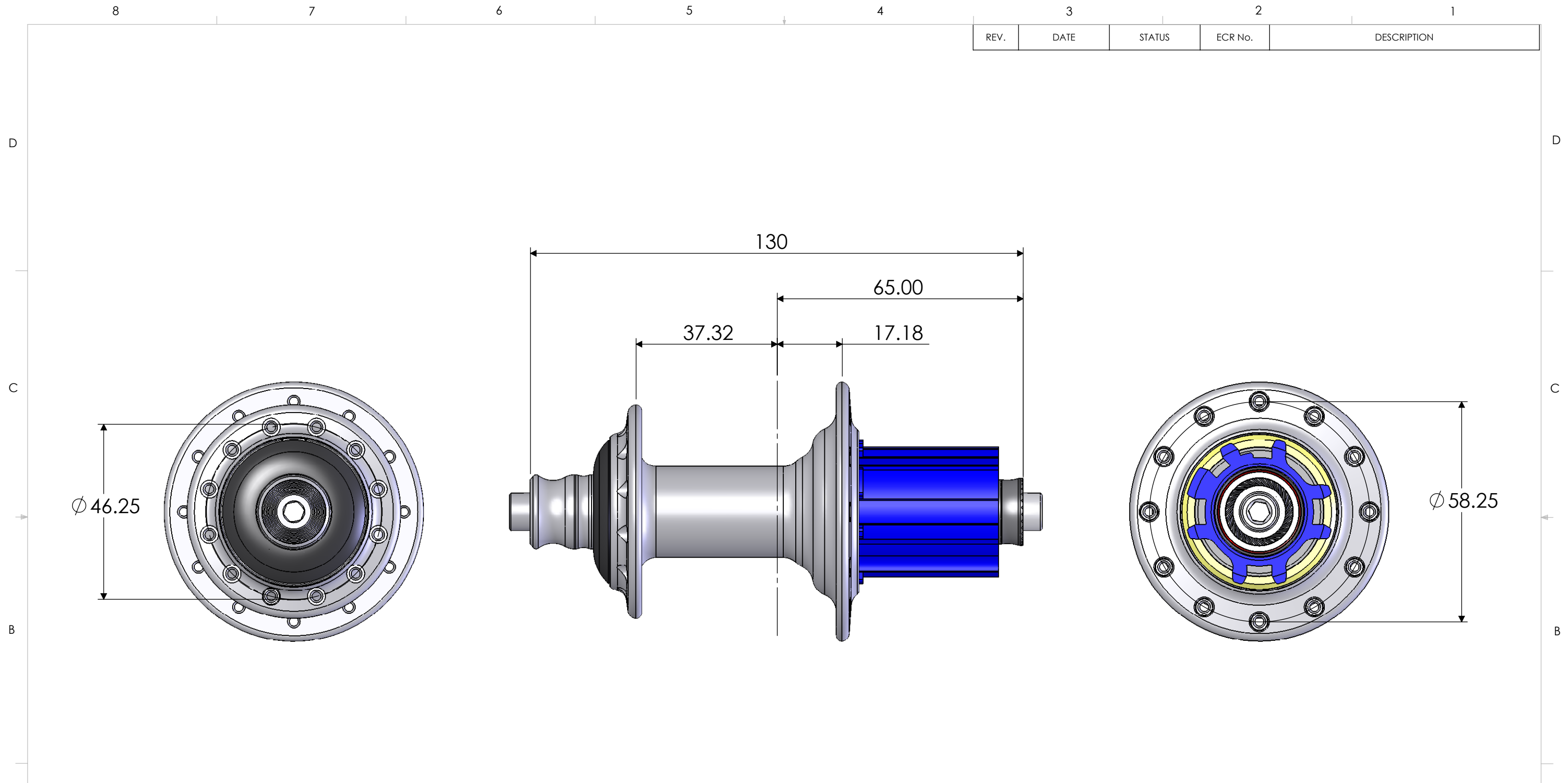



REV.	DATE	STATUS	ECR No.	DESCRIPTION



UNLESS OTHERWISE SPECIFIED: DIMENSIONS ARE IN INCHES TOLERANCES:				DEBUR AND BREAK SHARP EDGES		DO NOT SCALE DRAWING		STATUS:	
FRACTIONAL: ±1/32 .XX : .01		ANGULAR: ±0.5° .XXX : 0.005						1180 N. Main Street Speedway, IN 46224	
DRAWN	NAME michael_hall	SIGNATURE	DATE 2/19/2007	MATERIAL:		TITLE: Zipp 208 Rear Hub		REVISION	
CHK'D				---		Part File Name: H-208-ASY-001		A-06	
APP'VD				FINISH: -		SCALE: 1:1		SHEET 1 OF 1	
MFG				WEIGHT:				B	
Q.A									

PROPRIETARY AND CONFIDENTIAL

THE INFORMATION CONTAINED IN THIS DRAWING IS THE SOLE PROPERTY OF ZIPP SPEED WEAPONRY. ANY REPRODUCTION IN PART OR IN WHOLE WITHOUT THE EXPRESS WRITTEN PERMISSION OF ZIPP SPEED WEAPONRY IS PROHIBITED. ANY AUTHORIZED REPRODUCTION MUST INCLUDE THIS STATEMENT IN ITS ENTIRETY.