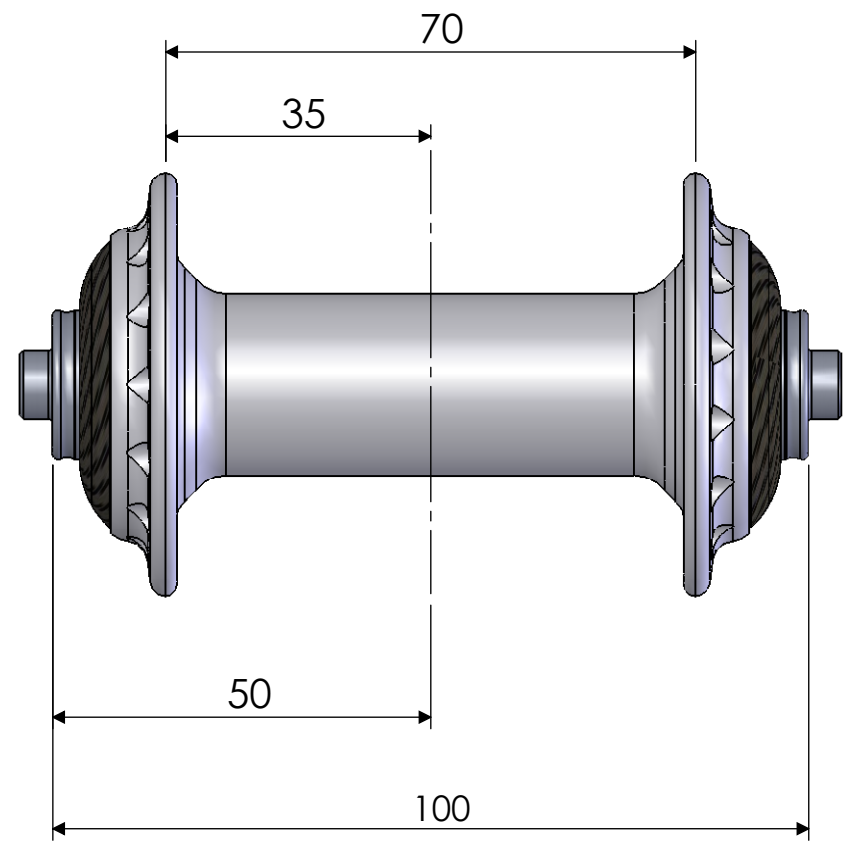
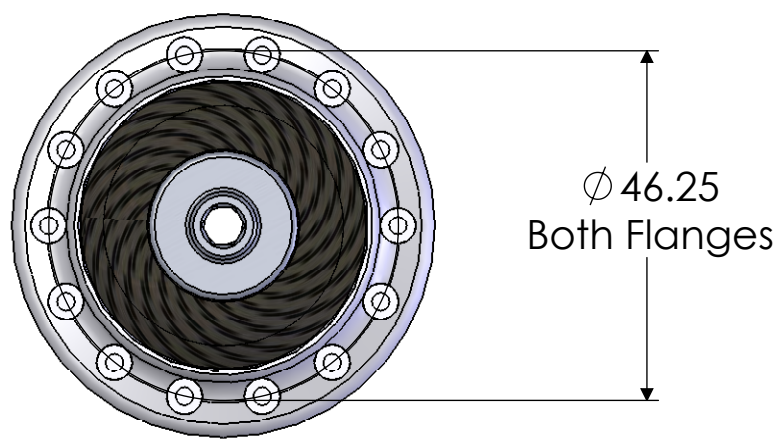


8 7 6 5 4 3 2 1

REV.	DATE	STATUS	ECR No.	DESCRIPTION
------	------	--------	---------	-------------



UNLESS OTHERWISE SPECIFIED:
DIMENSIONS ARE IN INCHES
TOLERANCES:

FRACTIONAL: ±1/32 ANGULAR: ±0.5°
.XX : .01 .XXX : 0.005

DEBUR AND
BREAK SHARP
EDGES

DO NOT SCALE DRAWING STATUS:



DRAWN	NAME	SIGNATURE	DATE	MATERIAL:
JRP			2/19/2007	
CHK'D				
APPV'D				
MFG				
Q.A				
				FINISH:
				WEIGHT:

TITLE: Zipp 108 Front Hub	REVISION: A-03
Part File Name: H-108-ASY-001	
SCALE: 1:1	SHEET 1 OF 1

PROPRIETARY AND CONFIDENTIAL

THE INFORMATION CONTAINED IN THIS DRAWING IS THE SOLE PROPERTY OF ZIPP SPEED WEAPONRY. ANY REPRODUCTION IN PART OR IN WHOLE WITHOUT THE EXPRESS WRITTEN PERMISSION OF ZIPP SPEED WEAPONRY IS PROHIBITED. ANY AUTHORIZED REPRODUCTION MUST INCLUDE THIS STATEMENT IN ITS ENTIRETY.

8 7 6 5 4 3 2 1